



DDRC810DT-GL

Relay Controller

Designed to operate any type of switched load

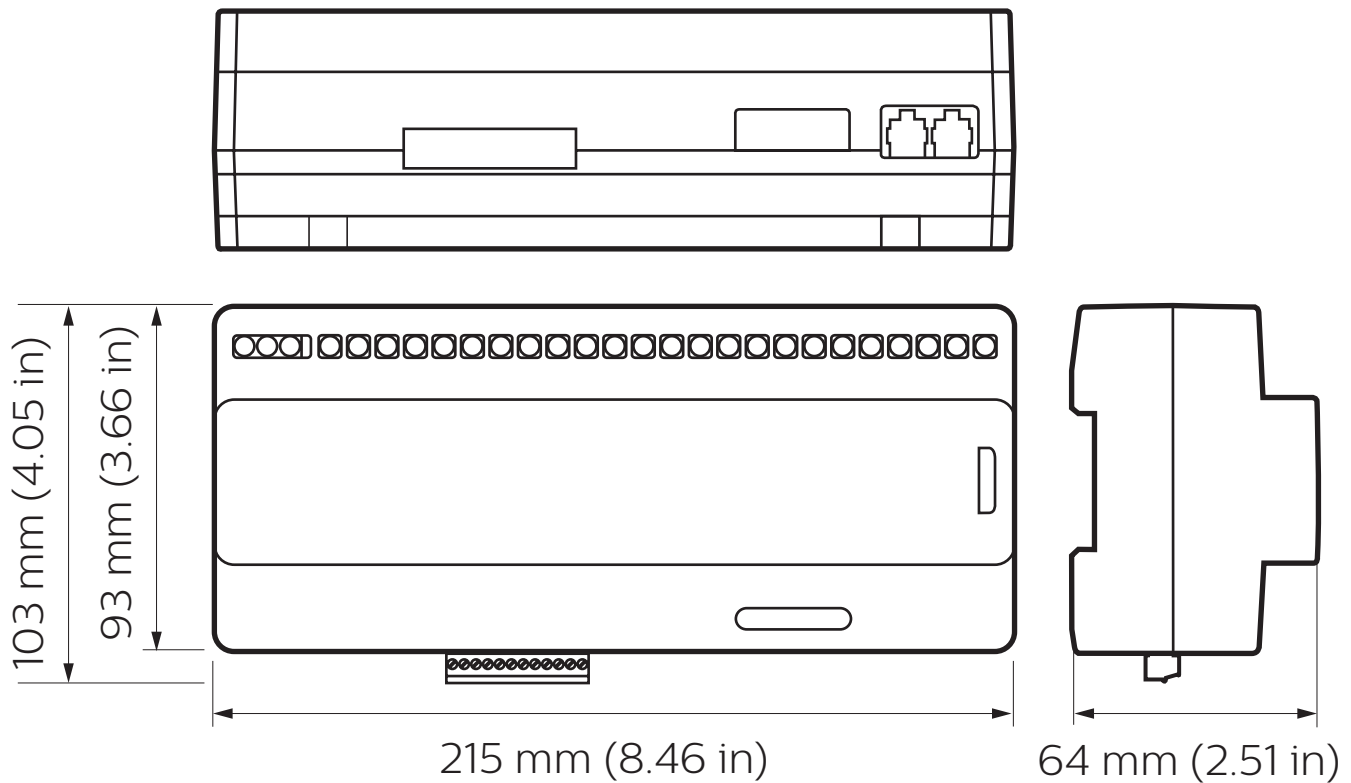
The Philips Dynalite DDRC810DT-GL is ideal for controlling bi-directional motors such as curtains and blinds. This eight-channel device is suitable for any switched load up to 10 A per channel, with a maximum box load of 40 A.

DDRC810DT-GL

Designed to operate any type of switched load

- **Voltage free changeover SPDT output relays** – Perfect for controlling bi-directional motors.
- **Flexible mounting solution** – A DIN-rail mountable device, designed to be installed into the distribution board supplying power to the controlled circuit.
- **Inbuilt diagnostic functionality** – Features circuit run time tracking on each channel.
- **Standalone or networked operation** – Can operate as a discrete standalone unit, or as part of an integrated control system when connected to the DyNet network.
- **Dry contact inputs** – The unit receives instructions from voltage-free button presses.

Dimensions



Specifications

Due to continuous improvements and innovations, specifications may change without notice.



DDRC810DT-GL
Relay Controller

Electrical

Supply Type	Single-phase
Supply Voltage	100–240 VAC
Supply Current	0.25 A
Supply Frequency	50/60 Hz
Outputs	8 x switched SPDT voltage free changeover
Output Channel Ratings	(See Pg 4)*†
Maximum Device Load	40 A
Maximum CH-CH Voltage	400 VAC
DyNet DC Output Voltage	12 VDC
DyNet DC Output Current	120 mA (supports approximately 6 user interfaces)

Control

Serial Ports	1 x RS485
Supported Protocols	DyNet, DMX512
DMX Rx Channels	8
Dry Contact Inputs	8 + 1 (AUX)
User Controls	1 x service switch Manual override switch for each channel
Indicators	1 x service LED

* Snubbers/spark killers not fitted. De-rate for reactive loads.

† Functional isolation only between switched outputs. Do not mix SELV and non-SELV loads on the same device.

Physical

Dimensions (H x W x D)	93 x 215 x 64 mm (3.66 x 8.46 x 2.51 in)
Packed Weight	0.54 kg (1.19 lb)
Construction	Polycarbonate DIN-rail enclosure (12 unit)
Serial Ports	1 x 6-way pluggable screw terminal 2 x RJ12
Serial Port Conductor Size	2.5 mm ² (#12 AWG) (max)
Supply Terminals	Screw terminal Line, Neutral, Earth
Supply Terminal Conductor Size	5 mm ² (#10 AWG) (max)
Output Terminals	Screw terminal COM, NO, NC
Output Terminal Conductor Size	5 mm ² (#10 AWG) (max)
Maximum Dry Contact Cable Length	20 m

Environment**

Operating Temperature	0° to 50°C ambient (32° to 122°F)
Storage/Transport Temperature	-25° to 70°C ambient (-13° to 158°F)
Humidity	0 to 90% non-condensing
IEC Pollution Degree	II

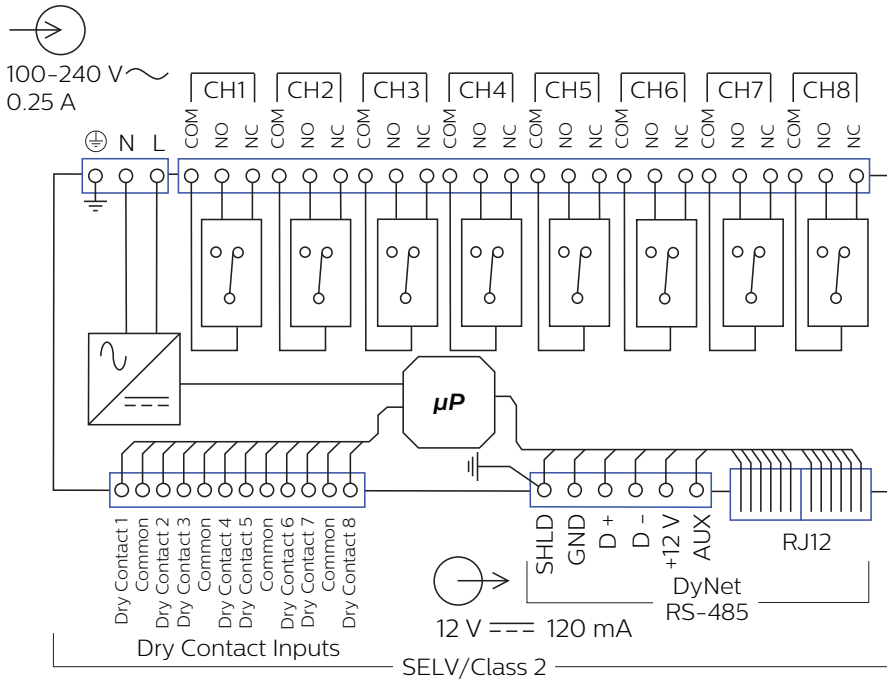
Compliance

Certification	CE, RCM, UL/cUL, FCC, UKCA, RoHS
---------------	----------------------------------

** For indoor installation only



Electrical



Output Channel Ratings

Load Type	Maximum Rating per Output*	
	CH1 - CH8 N/O	CH1 - CH8 N/C
General Use	10 A, 240 VAC 5 A, 24 VDC	5 A, 240 VAC 5 A, 24 VDC
Incandescent	5 A, 240 VAC	X
Electronic Ballast	1 A, 120 VAC 0.5 A, 240 VAC	X
Motor	9.8 FLA** (½ HP), 120 VAC 8 FLA** (1 HP), 240 VAC	X
TV Rating	TV-5, 120 VAC	X
Inrush Current	100 A	X

* Note Maximum Device Load and Maximum CH-CH Voltage on Pg 3

**FLA: Full Load Amps

Ordering Code

Product

DDRC810DT-GL

Philips 12NC

913703035209



© 2022 Signify Holding. All rights reserved. Specifications are subject to change without notice. No representation or warranty as to the accuracy or completeness of the information included herein is given and any liability for any action in reliance thereon is disclaimed. Philips and the Philips Shield Emblem are registered trademarks of Koninklijke Philips N.V. All other trademarks are owned by Signify Holding or their respective owners.