

**PHILIPS**

dynalite

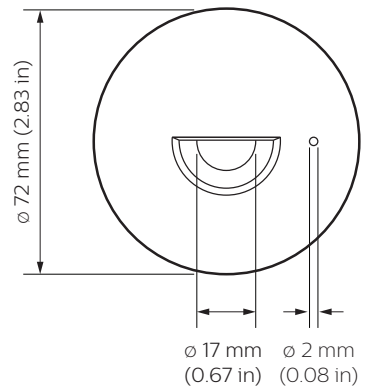
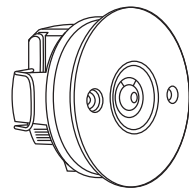
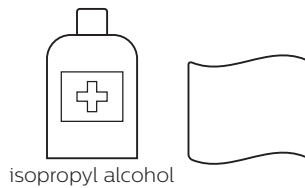
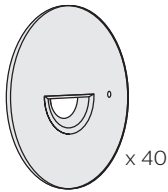
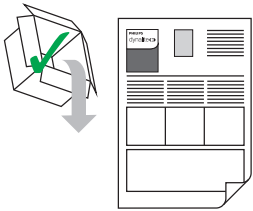
**DUS180WR**

Anti-stumble faceplate

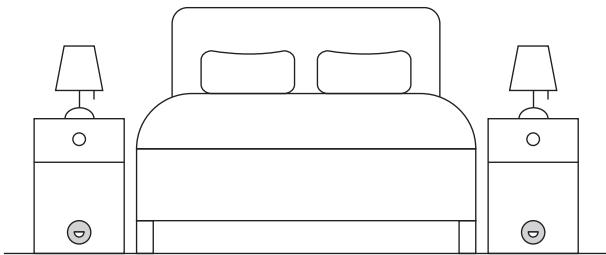


## Installation Instructions

Instructions d'installation  
Installationsanweisungen  
Instrucciones de instalación  
Istruzioni per l'installazione  
Installatie-instructies  
インストール手順  
安裝指示  
إرشادات التركيب

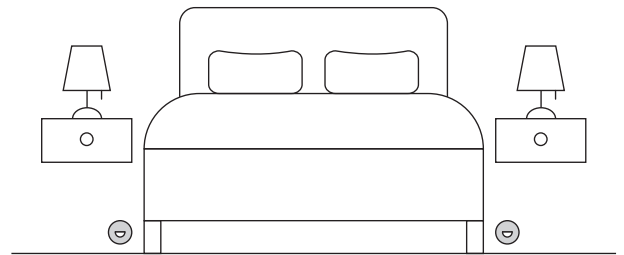


1 A

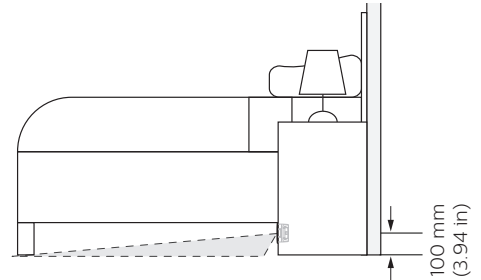
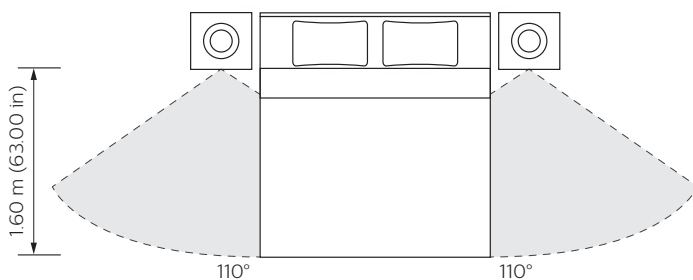


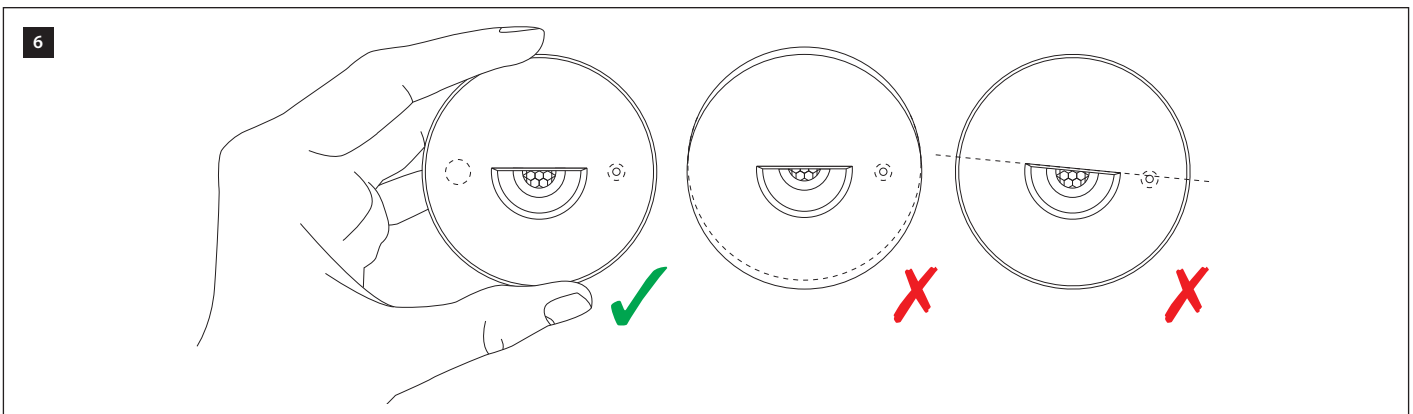
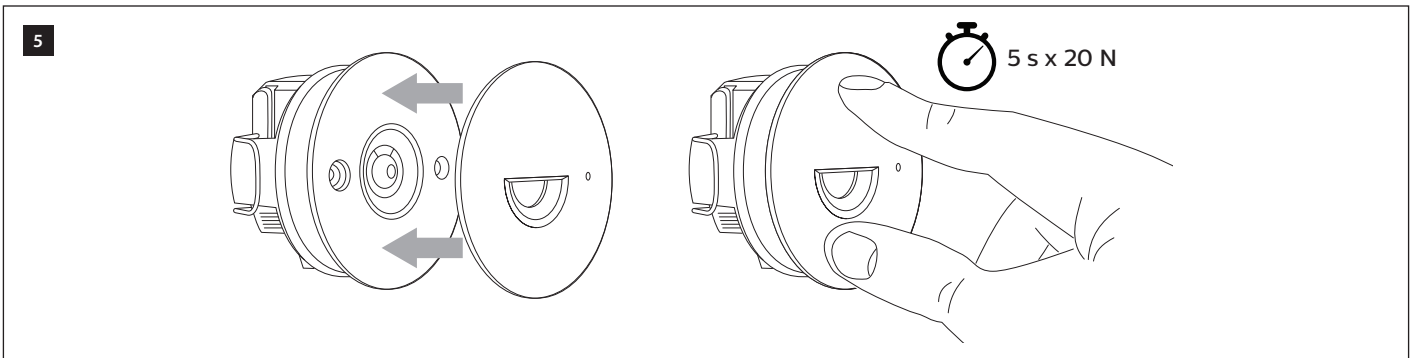
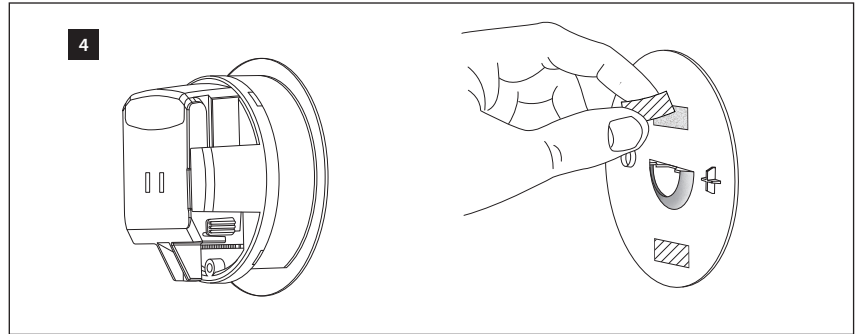
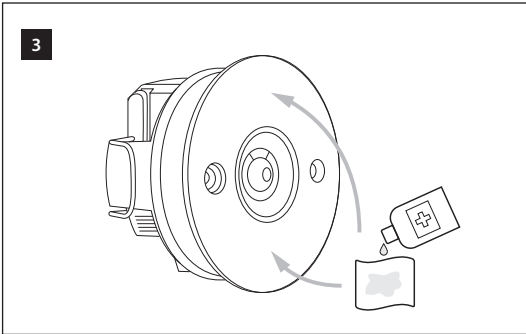
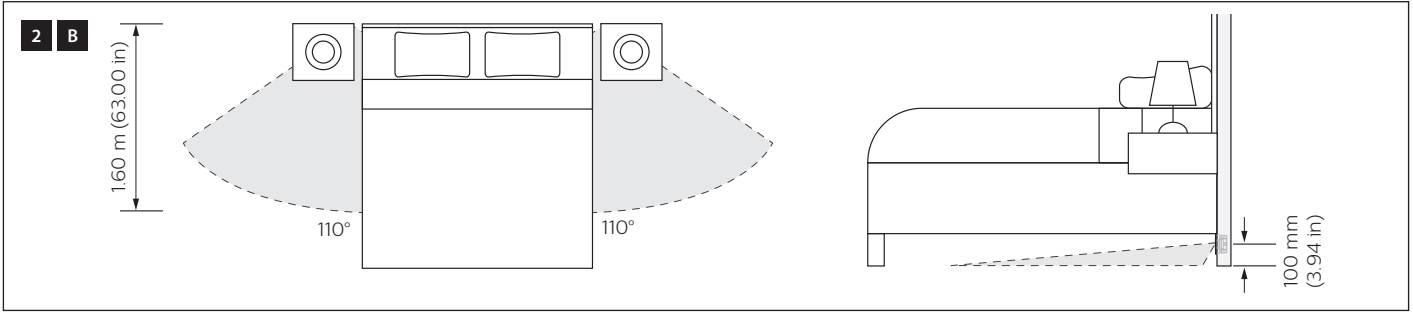
! IEC Pollution Degree II

1 B



2 A





⚠ Refer to Service Guide for full cleaning recommendations.