



# DH2X24

DIN Rail Enclosure

## Safe, flexible housing for DIN rail devices

The Philips Dynalite DH2X24 is a wall-mounted enclosure with two 24-unit DIN rails, designed for easy mounting and housing of Dynalite DIN rail products.

The enclosure includes a removable front cover, removable DIN rail plate, and a variety of cabling knockouts along the side, top and bottom for safe and convenient installation.

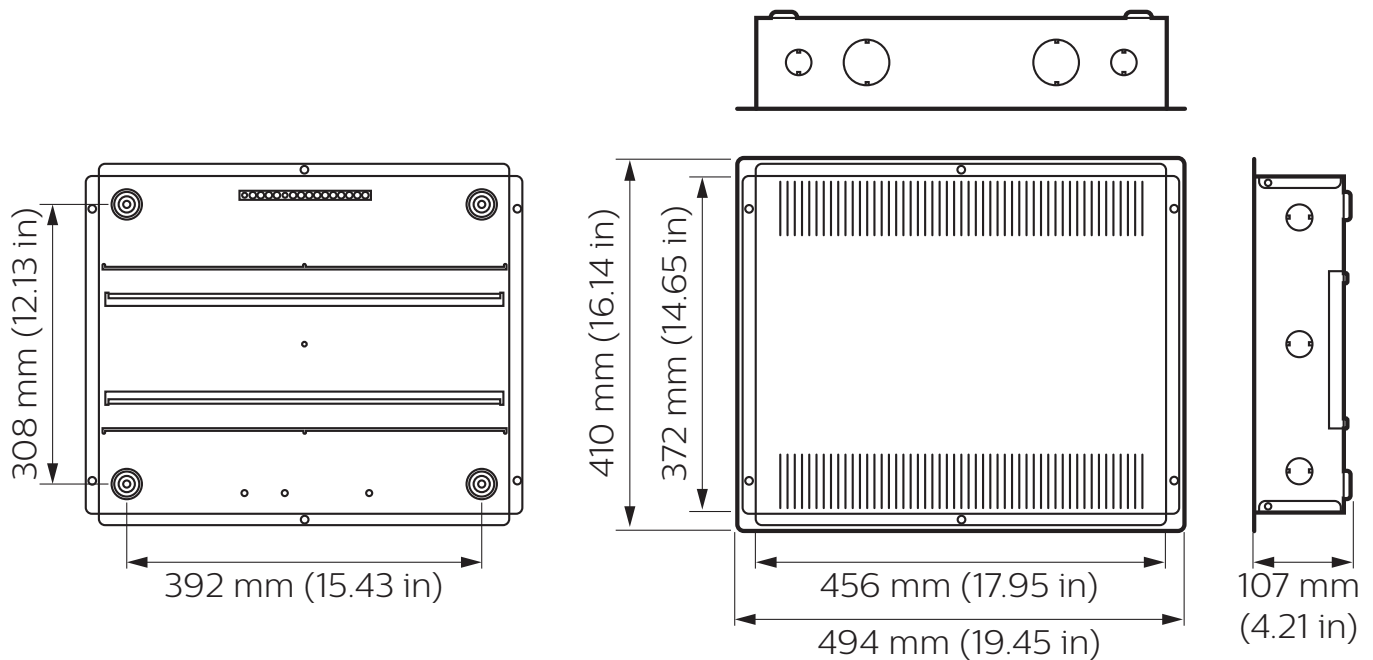
# DH2X24

## Safe, flexible housing for DIN rail devices

- **Galvanized steel body** – Extremely durable construction, designed to keep housed devices safe.
- **Passive cooling** – Sufficient ventilation to accommodate any combination of Dynalite DIN rail dimming controllers at up to 70% of their rated loads.
- **Removable DIN rail plate** – Allows you to mount devices outside of the enclosure, or run wiring behind the plate to maintain segregation.
- **Designed to hold up to four 12-unit DIN rail devices** – or any combination of smaller devices, up to 24 units per rail.

---

## Dimensions



# Specifications

Due to continuous improvements and innovations, specifications may change without notice.



**DH2X24**  
DIN Rail Enclosure

## Electrical Safety

Maximum Voltage	230/400 VAC max (CE), 300 VAC max (UL)
Maximum Current	125 A

## Physical

Dimensions (H x W x D)	410 x 494 x 107 mm (16.14 x 19.45 x 4.21 in)
Packed Weight	6.3 kg (13.89 lb)
Construction	Galvanized steel enclosure Powder-coated front cover
Cable Entry Knockouts*	10 x Ø 28 mm (1.11 in) 4 x Ø 50 mm (1.97 in)

## Earth Bar Torque Ratings

#14-10 AWG	2.26 Nm (20 Lb-in)
#8 AWG	2.82 Nm (25 Lb-in)
#6-4 AWG	3.95 Nm (35 Lb-in)
#3-2/0 AWG	5.65 Nm (50 Lb-in)

## Compliance\*\*

Certification	CE, RCM, UL/cUL, UKCA, RoHS
---------------	-----------------------------

\*\* For indoor installation only

\* Ø 28.2 mm (1.11 in) knockout is suitable for ¾ inch conduit  
Ø 50 mm (1.97 in) knockout is suitable for 1½ inch conduit



## Controller De-rating

- Each Philips Dynalite controller housed in the DH2X24 must be de-rated to a maximum of 70% of its rated load.
- The prospective short-circuit current must not exceed 10 kA, unless protected by a current limiting device with a maximum cut-off current of 17 kA.

## Ordering Code

### Product

DH2X24

### Philips 12NC

913703339909



© 2022 Signify Holding. All rights reserved. Specifications are subject to change without notice. No representation or warranty as to the accuracy or completeness of the information included herein is given and any liability for any action in reliance thereon is disclaimed. Philips and the Philips Shield Emblem are registered trademarks of Koninklijke Philips N.V. All other trademarks are owned by Signify Holding or their respective owners.