



PD-KoD

DALI Demo Case

Discover the power of DyNet and DALI

This compact, portable device provides a simulated multi-universe DALI lighting control network for training and education purposes, incorporating both DALI and DyNet sensors and UIs.

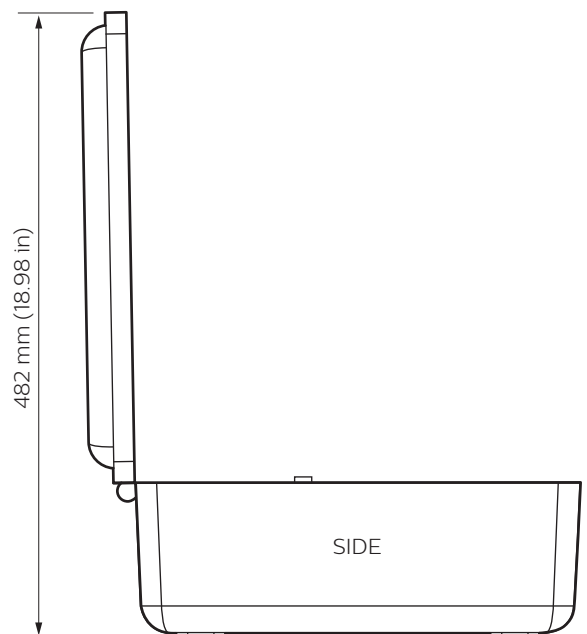
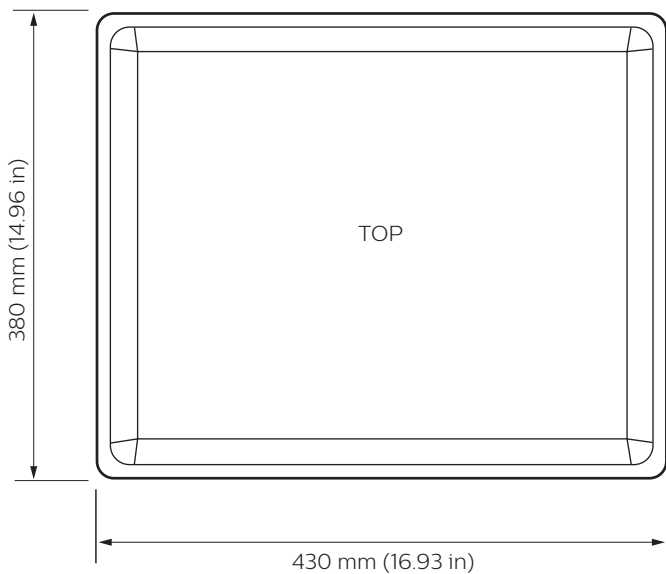
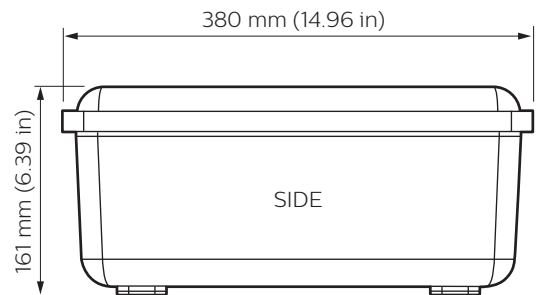
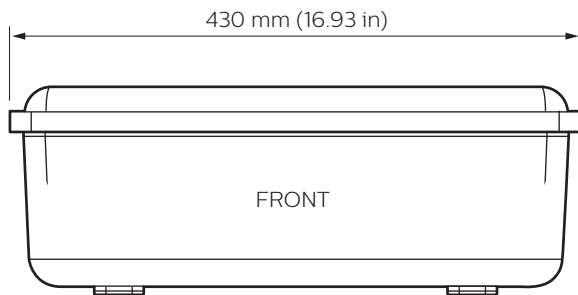
Integrated DyNet and DALI terminals allow the connection of additional drivers, sensors, gateways, controllers, and UIs to simulate various control scenarios.

PD-KoD

Discover the power of DyNet and DALI

- **DDBC320-DALI controller** – Delivers the combined power of three DALI universes and full DyNet functionality to simulate real-world lighting and control scenarios.
- **Realistic office floor plan** – 40 embedded LEDs across two universes provide a combination of DALI 207, DALI 209 Tunable White, and DALI 209 RGBW control.
- **External DALI bus** – Connect and control a full DALI universe, including drivers, sensors, and UIs
- **Antumbra & Revolution UIs** – Simulate morning/afternoon/evening modes, control lighting scenes, and monitor temperature, humidity, and light levels in real time.
- **DyNet & DALI multifunction sensors** – Demonstrate the power of automated systems to respond dynamically to occupancy and lighting changes.
- **Lamp override and UL924 toggles** – Demonstrate the system response to lamp failures and emergency events.
- **24 hour simulation** – use AntumbraDisplay to trigger morning/afternoon/evening modes

Dimensions



Specifications

Due to continuous improvements and innovations, specifications may change without notice.



PD-KoD

DALI Demo Case


Electrical

Supply Voltage	100-240 VAC
Supply Current	1 A
DyNet DC Output Voltage	12 VDC
DyNet DC Output Current	50 mA
IEC Overvoltage Category	III

Control

Serial Ports	1 x RS-485 1 x Ethernet (10/100 BaseT)
Supported Protocols	DyNet
Control Channel Outputs	1 x DALI-2 (DALI-2 certified and DALI registered drivers only) (Supports DALI 207 & DALI 209 RGBW/Tunable White)
DDBC320-DALI Indicators	1 x diagnostic LED 3 x DALI bus status LED 1 x Ethernet activity LED
DDBC320-DALI User Input	1 x service switch 3 x DALI universe override switch
User Interfaces	1 x six-button AntumbraDisplay 1 x six-button AntumbraButton 2 x eight-button Revolution
Multifunction Sensors	2 x DUS360CR 2 x DUS360CR-D
Sensor User Input (per sensor)	1 x service switch 1 x sensor cover
Sensor Indicator (per sensor)	1 x red motion LED
Sensor Lux Range	5-5000 lux
Sensor Detection Range	≤ 5 m (16.4 ft) (Typical at ≤ 25 °C (77 °F), reduced at higher temperatures.)
Additional User Inputs	8 x driver/lamp override switch 1 x UL924 toggle switch

Physical

Dimensions (Closed - H x W x D)	161 x 430 x 380 mm (6.34 x 16.93 x 14.96 in)
Packed Weight	7.8 kg (17.2 lb)
Construction	Hinged plastic enclosure
Color	Black
Floor Plan LEDs	16 x Warm white (DALI 207) 16 x Tunable white (DALI 209) 8 x RGBW (DALI 209)
Serial Ports	1 x RJ12 (DyNet) 1 x RJ12 (maintenance only) 1 x RJ45 (Ethernet)
External DALI Ports	1 x two-way push-in wire connector
Supply Port	 1 x IEC60320-C14 inlet (Mains cable not included)

Environment

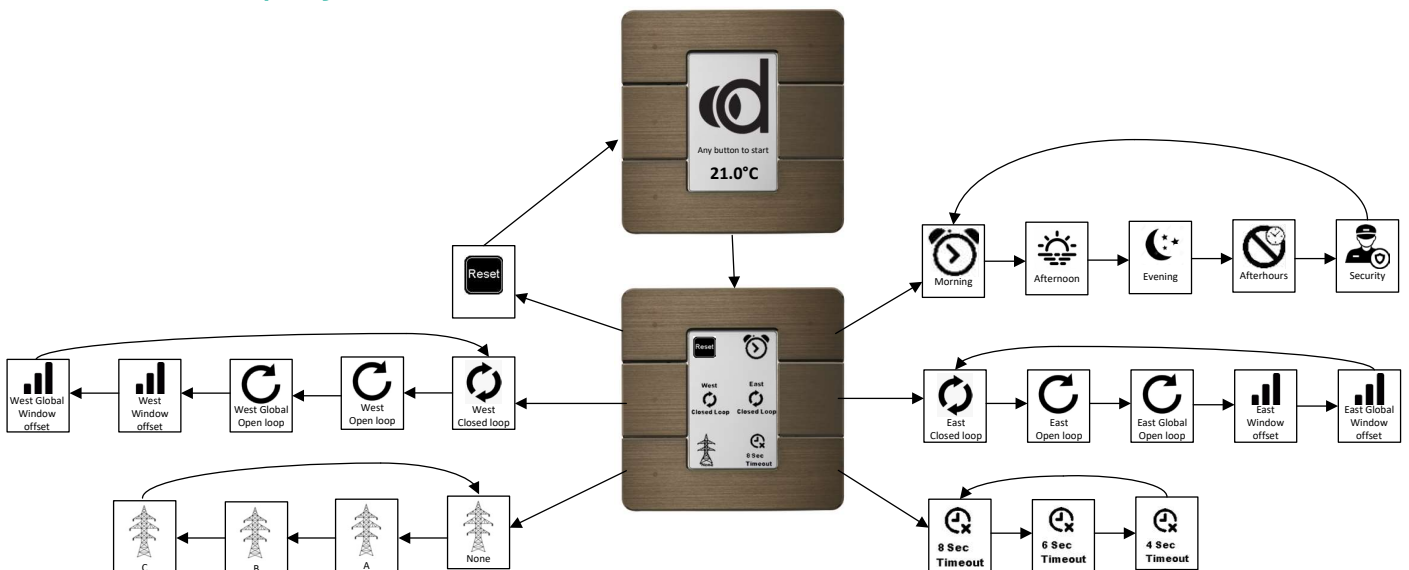
Operating Temperature	0° to 40°C ambient (32° to 104°F)
Storage/Transport Temperature	-25° to 70°C ambient (-13° to 158°F)
Relative Humidity	0 to 90% non-condensing
IEC Pollution Degree	II

Compliance

Certification	CE, RCM, UKCA, RoHS
---------------	---------------------

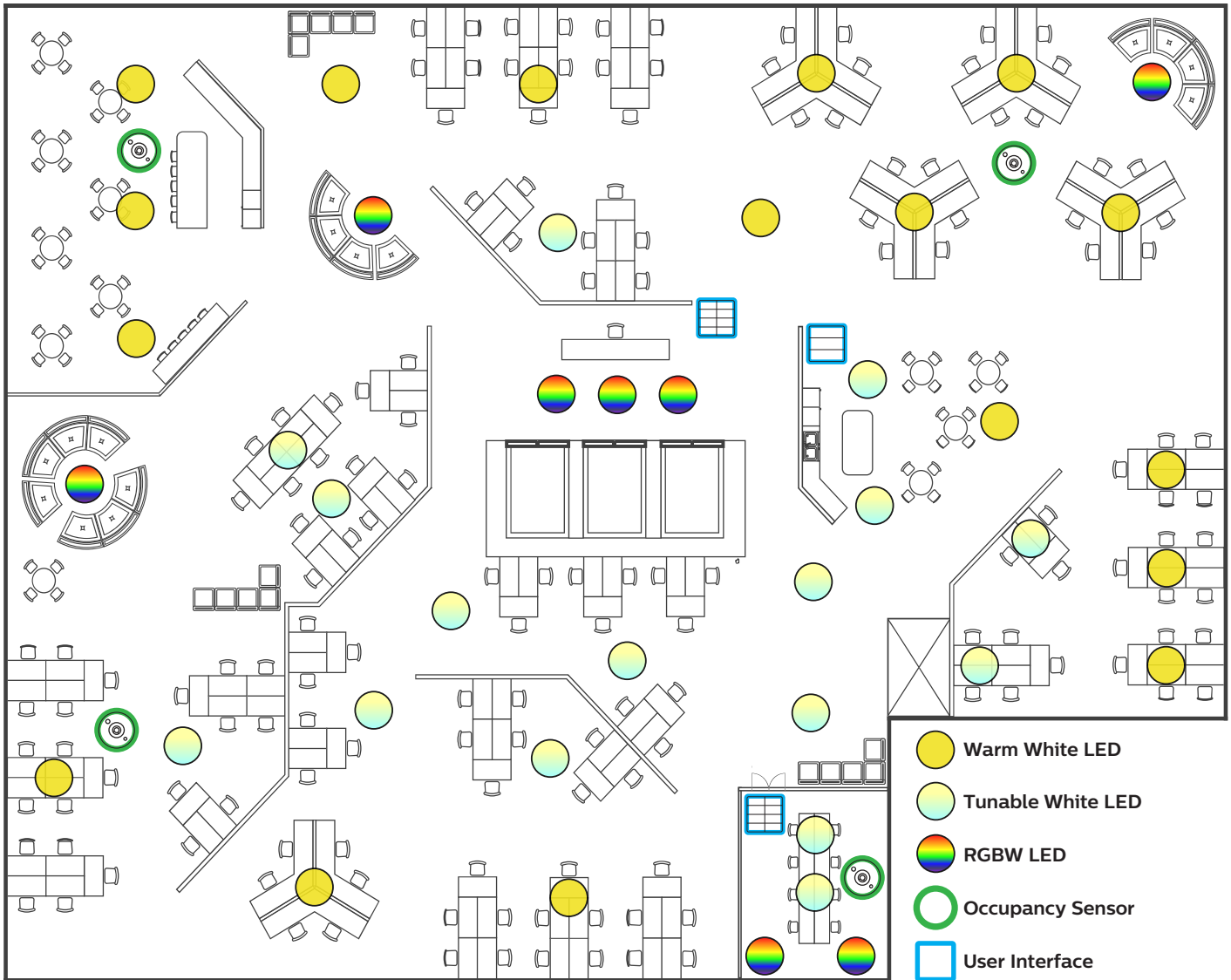


AntumbraDisplay Menu



Floor Plan

The image below is an approximate representation and may differ slightly from the final product.



Ordering Codes

Product

12NC

PD-KoD

913703335009



© 2023 Signify Holding. All rights reserved. Specifications are subject to change without notice. No representation or warranty as to the accuracy or completeness of the information included herein is given and any liability for any action in reliance thereon is disclaimed. Philips and the Philips Shield Emblem are registered trademarks of Koninklijke Philips N.V. All other trademarks are owned by Signify Holding or their respective owners.