



DH3X24

DIN Rail Enclosure

Safe, flexible housing for DIN rail devices

The Philips Dynalite DH3X24 is a wall-mounted enclosure with three 24-unit DIN rails, designed for easy mounting and housing of Dynalite DIN rail products.

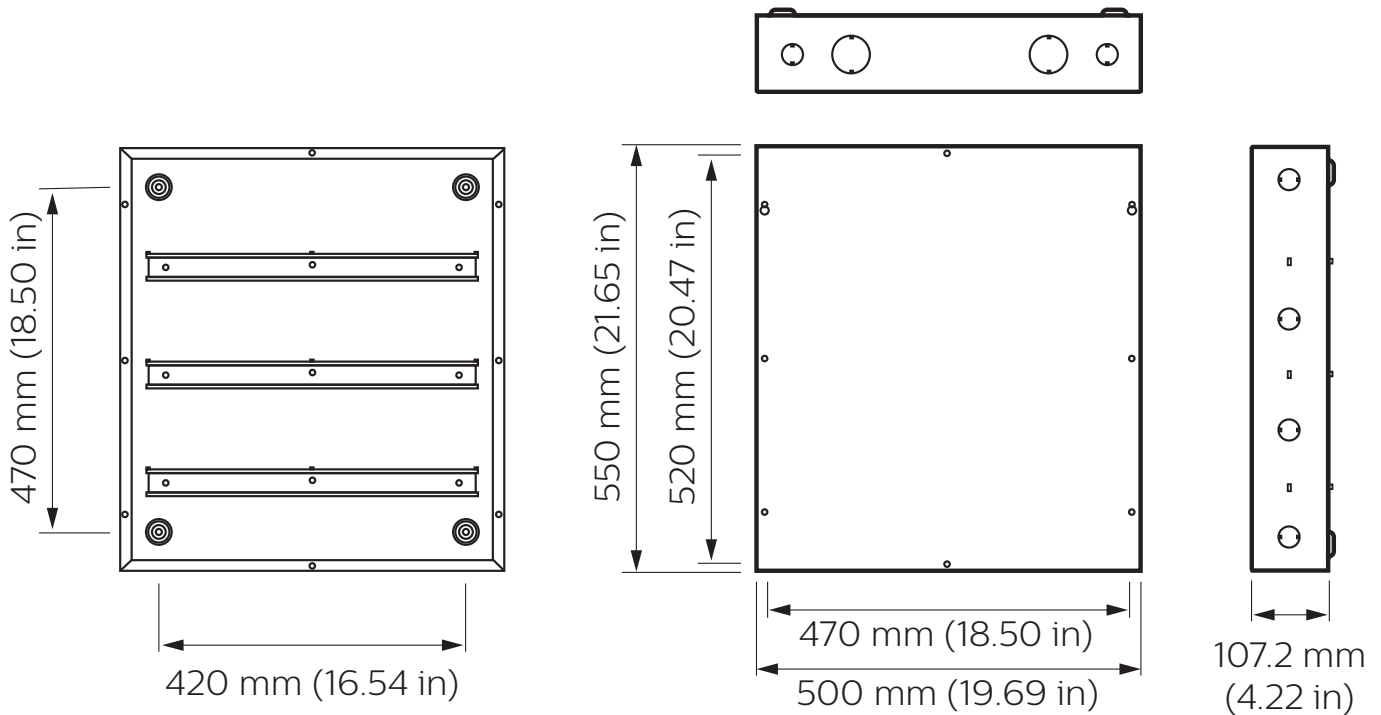
The enclosure includes a removable front cover and a variety of cabling knockouts along the side, top, and bottom for safe and convenient installation.

DH3X24

Safe, flexible housing for DIN rail devices

- **Galvanized steel body** – Extremely durable construction, designed to keep housed devices safe.
- **Passive cooling** – Sufficient ventilation to accommodate any combination of Dynalite DIN rail dimming controllers at up to 70% of their rated loads.
- **Designed to hold up to six 12-unit DIN rail devices** – or any combination of smaller devices, up to 24 units per rail.

Dimensions



Specifications

Due to continuous improvements and innovations, specifications may change without notice.



DH3X24
DIN Rail Enclosure

Electrical Safety

Maximum Voltage	230/400 VAC
Maximum Current	125 A

Physical

Dimensions (H x W x D)	470 x 500 x 107.2 mm (18.5 x 19.69 x 4.22 in)
Packed Weight	10 kg (22.05 lb)
Construction	Galvanized steel enclosure Powder-coated front cover
Cable Entry Knockouts*	10 x Ø 28 mm (1.11 in) 4 x Ø 50 mm (1.97 in)

- * Ø 28.2 mm (1.11 in) knockout is suitable for ¾ inch conduit
- Ø 50 mm (1.97 in) knockout is suitable for 1½ inch conduit

Earth Bar Torque Ratings

#14-10 AWG	2.26 Nm (20 Lb-in)
#8 AWG	2.82 Nm (25 Lb-in)
#6-4 AWG	3.95 Nm (35 Lb-in)
#3-2/0 AWG	5.65 Nm (50 Lb-in)

Environmental**

Operating Temperature	-5° to 40°C ambient (23° to 104°F)
-----------------------	------------------------------------

Compliance

Certification	CE, RCM, RoHS IEC/EN 60670-24
---------------	----------------------------------

** For indoor installation only



Controller De-rating

- Each Philips Dynalite controller housed in the DH3X24 must be de-rated to a maximum of 70% of its rated load.
- The prospective short-circuit current must not exceed 10 kA, unless protected by a current limiting device with a maximum cut-off current of 17 kA.

Ordering Code

Product

DH3X24

Philips 12NC

913703352809

© 2024 Signify Holding.

All rights reserved. Specifications are subject to change without notice. No representation or warranty as to the accuracy or completeness of the information included herein is given and any liability for any action in reliance thereon is disclaimed. Philips and the Philips Shield Emblem are registered trademarks of Koninklijke Philips N.V. All other trademarks are owned by Signify Holding or their respective owners.



www.dynalite.com

Revision 02 – 2024-01-11