



DTK622-USB

PC Node

PC connection node

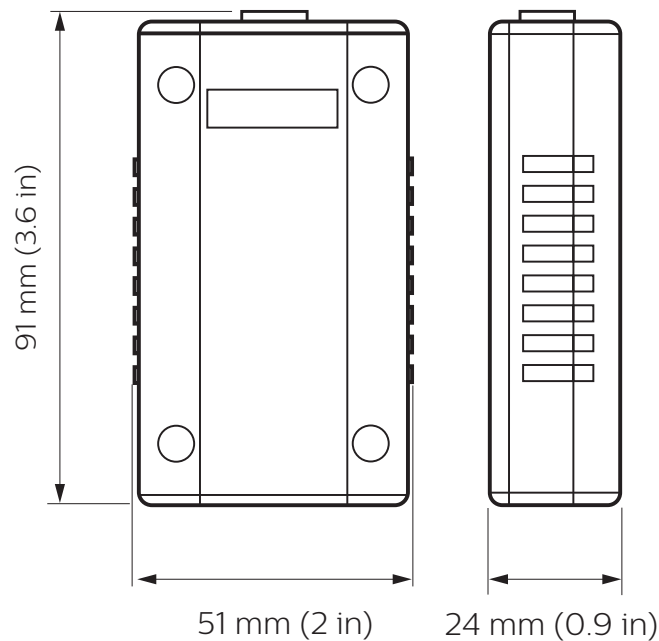
The Philips Dynalite DTK622-USB is a PC node that provides a connection to a PC using a USB connection.

DTK622-USB

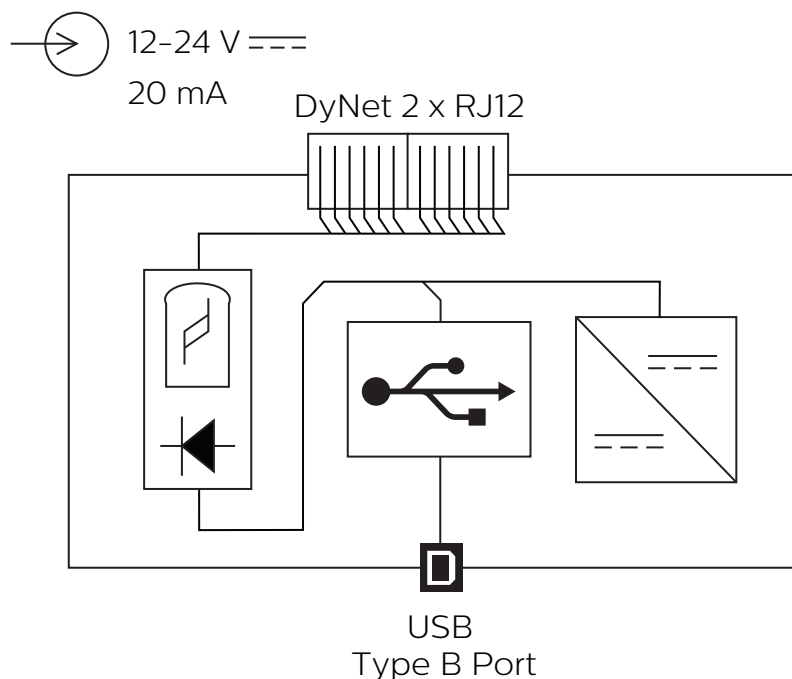
PC connection node

- **Useful interface for any PC** – Complete access to all network messages present on the DyNet network.
- **Commissioning and maintenance tool** – To be used in conjunction with any of the Philips Dynalite software, this PC node can be used to commission, diagnose or repair with Philips Dynalite System Builder.
- **Permanent PC connection** – Can be used as a permanent gateway to the system for the Philips Dynalite System Manager head-end software.
- **Complete solution** – Download the required drivers from www.dynalite.com.

Dimensions



Electrical



Specifications

Due to continuous improvements and innovations, specifications may change without notice.



DTK622-USB
PC Node

Electrical

Supply Type	DyNet
Supply Voltage	12-24 VDC
Supply Current	20 mA
IEC Overvoltage Category	III

Control

Serial Ports	2 x RS-485 1 x USB
Supported Protocols	DyNet
Indicators	1 x DyNet power LED

Physical

Dimensions (H x W x D)	24 x 51 x 91 mm (0.9 x 2.0 x 3.6 in)
Packed Weight	94 g (0.2 lb)
Construction	ABS plastic
Serial Ports	2 x RJ12 1 x USB type-B

Environment*

Operating Temperature	0° to 40°C ambient (32° to 104°F)
Storage/Transport Temperature	-25° to 60°C ambient (-13° to 140°F)
Humidity	0 to 90% non-condensing
IEC Pollution Degree	II

Compliance

Certification	CE, RCM, UKCA, FCC, ICES, RoHS
---------------	--------------------------------

* For indoor installation only



Ordering Codes

Product

DTK622-USB

Philips 12NC

913703090209

Accessories (Supplied)

1 x USB Cable (type-A to type-B)

1 x RJ12 Cable

1 x 5-pin RJ12 dingus

© 2024 Signify Holding.

All rights reserved. Specifications are subject to change without notice. No representation or warranty as to the accuracy or completeness of the information included herein is given and any liability for any action in reliance thereon is disclaimed. Philips and the Philips Shield Emblem are registered trademarks of Koninklijke Philips N.V. All other trademarks are owned by Signify Holding or their respective owners.



www.dynalite.com

Revision 06 – 2024-01-16