

# DDC116

Driver Controller

Speed up your lighting control design and installations

The Philips Dynalite DDC116 load controller provides intelligent networked control of 0-10V and DALI broadcast lighting circuits, delivering the flexibility to easily scale your projects from room-based controls to complete building-wide networked controls.

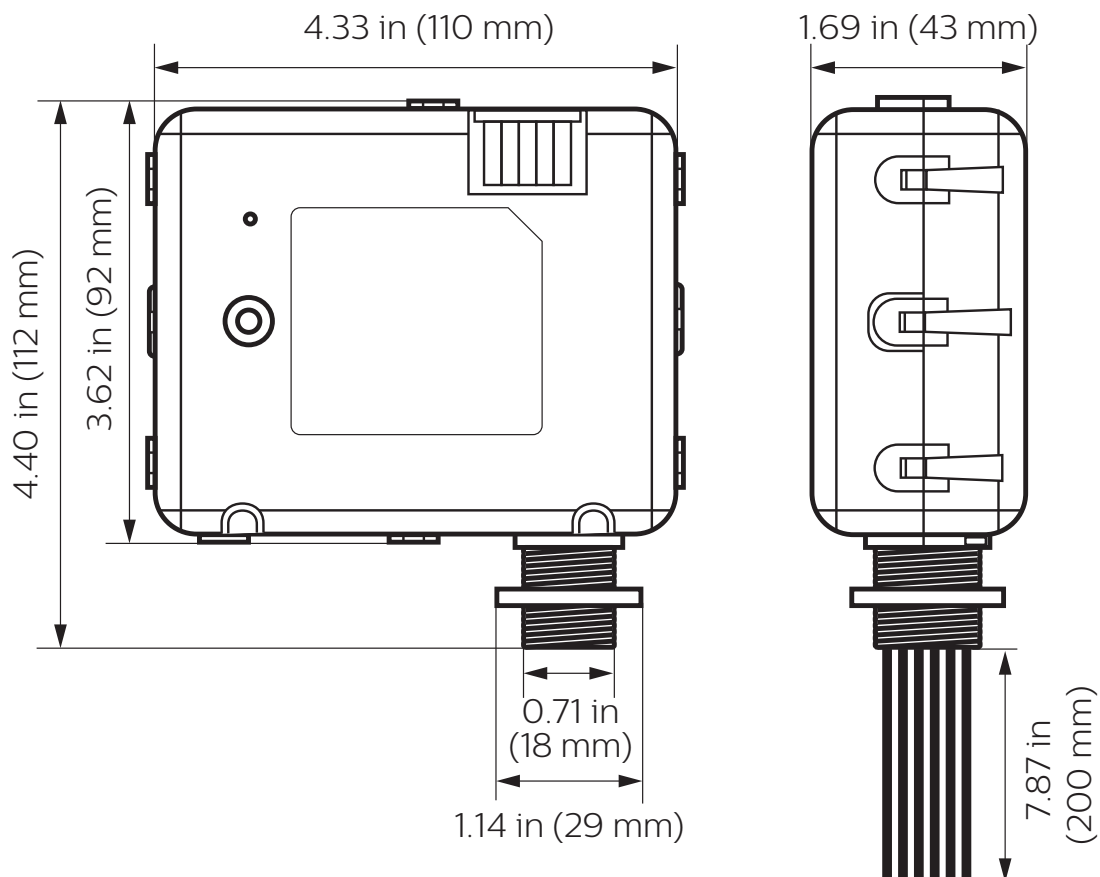
The compact plenum-rated design is compatible with standard junction box wiring schemes, reducing your installation effort and project costs.

# DDC116

Speed up your lighting control design and installations

- **Incorporates one relay output and one signal dimmer output** – Provides dimming control of 0-10 V or DALI broadcast drivers and transformers.
- **Driver standby power elimination** – Internal relay automatically isolates the lighting power circuit when driver is dimmed to 0%.
- **UL924 Input** – Integrates seamlessly with compatible emergency systems.
- **Flexible mounting solution** – UL 2043 / Chicago plenum-rated plastic enclosure designed for mounting directly onto a junction box.
- **Inbuilt diagnostic functionality** – Features Device Online/Offline status indication.
- **Easy to install and configure** – Reduced installation complexity and project costs.
- **Flexible deployment** – Suitable for room-based applications or integration across multiple spaces.
- **Standalone operation** – Single-button configuration assigns the DDC116 to one of five preconfigured lighting zones, enabling individual zone control via the Philips Dynalite range of user interfaces and sensors, without the need for commissioning or head-end software.
- **Networked operation** – Seamless connectivity to the rest of the Dynalite system enables a range of expanded functionality such as automated scheduling, head-end software monitoring and management, and network gateway integration to third-party systems including BACnet, OPC UA, and others.

## Dimensions



# Specifications

Due to continuous improvements and innovations, specifications may change without notice.



**DDC116**  
Driver Controller

## Electrical

Supply Type	Single-Phase
Supply Voltage	100-277 VAC
Supply Current	0.5 A
DyNet DC Output Voltage	12 VDC
DyNet DC Output Current	200 mA
Switched Output	1 x 20 A
Output Channel Ratings	(See Page 4)
IEC Overvoltage Category	III

## Control

Serial Ports	1 x RS-485
Supported Protocols	DyNet DMX Rx
DMX Rx Channels	1
Dry Contact Inputs	1 x AUX/UL924
Control Channel Outputs	1 (0-10 V or DALI Broadcast)
User Controls	1 x service switch
Indicators	1 x service LED
Diagnostic Functions*	Device online/offline status

\* Philips Dynalite System Manager required for analyzing diagnostic data. The availability of some diagnostics is dependent on driver type.

## Physical

Dimensions (H x W x D)	4.40 x 4.33 x 1.69 in (112 x 110 x 43 mm)
Packed Weight	0.6 lb (0.27 kg)
Construction	Polycarbonate
Serial	1 x 3-way cage clamp terminal (common ground) 2 x RJ45
Dry Contact	1 x 2-way cage clamp terminal (common ground)
Cage Clamp Terminal Conductor Size	#24-16 AWG (0.2-1.5 mm <sup>2</sup> )
Supply/Load	4 x fly lead Line IN, Earth, Neutral, Line OUT
Supply Conductor Size	12 AWG (2.5 mm <sup>2</sup> )
Control Output	2 x fly lead V+/DA+, V-/DA-
Control Output Conductor Size	18 AWG (0.75 mm <sup>2</sup> )
Fly Lead Length	7.87 in (200 mm)

## Environment\*\*

Operating Temperature	32° to 113°F ambient (0° to 45°C)
Storage/Transport Temperature	-13° to 185°F ambient (-25° to 85°C)
Relative Humidity	0 to 90% non-condensing
Ingress Protection Rating	IP20
IEC Pollution Degree	II

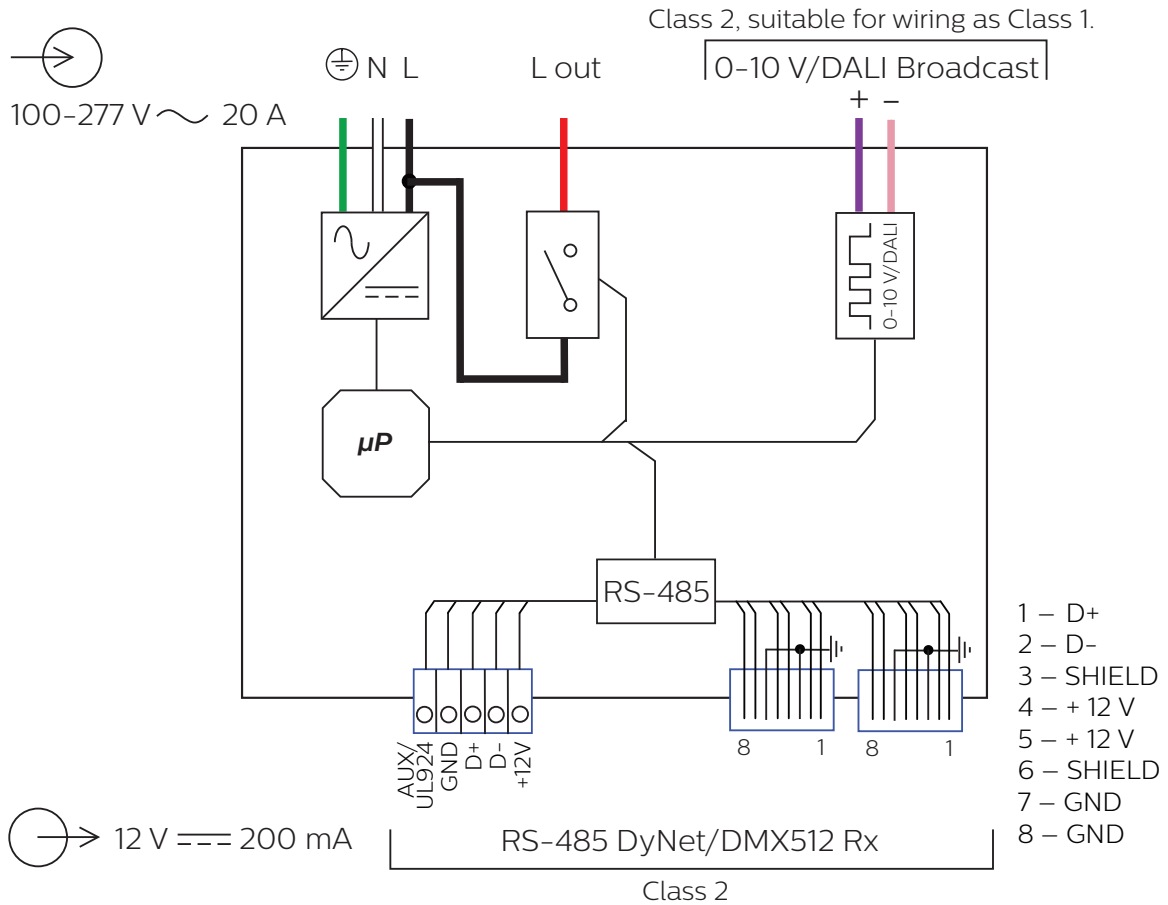
## Compliance

Certification	RCM, UL/cUL, FCC, ICES, RoHS Plenum UL 2043
---------------	--

\*\* For indoor installation only



# Electrical



## Control Channel Ratings

DALI Broadcast	Channel
Guaranteed Current	100 mA
Maximum Current	250 mA
Maximum Drivers	40
Insulation	Basic

0-10 V	Channel
Current	Sink 100 mA Source 100 mA

## Output Channel Ratings

Load Type	Maximum Rating per Output
	CH1
General Use*	20 A, 277 VAC
Electronic Driver	16 A, 277 VAC
Pilot Duty	6 A, 120 VAC 3A, 140 VAC 2.6 A, 277 VAC
Motor	16 FLA (1 HP), 120 VAC 14.5 FLA (2 ½ HP), 240 VAC 14.1 FLA (3 HP), 277 VAC

To avoid electrical overload, total external connected load must not exceed output rating.

\* Controlled receptacle (plug load)

## Ordering Code

### Product

DDC116-UL

### Philips 12NC

913703376709

© 2024 Signify Holding.

All rights reserved. Specifications are subject to change without notice. No representation or warranty as to the accuracy or completeness of the information included herein is given and any liability for any action in reliance thereon is disclaimed. Philips and the Philips Shield Emblem are registered trademarks of Koninklijke Philips N.V. All other trademarks are owned by Signify Holding or their respective owners.



www.dynalite.com

Revision 04 – 2024-01-23