



DBC905W

Signal Dimmer Controller

Easy-to-install controller with flexible mounting options

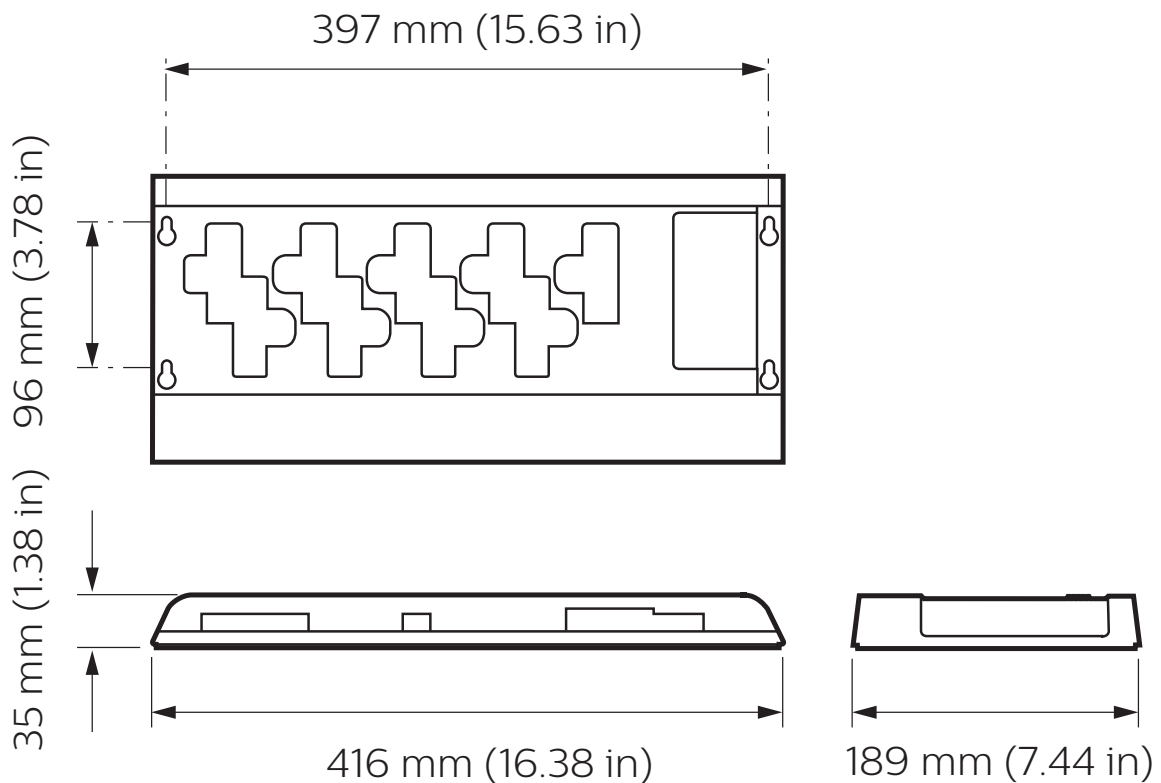
The Philips Dynalite DBC905W is a nine-channel signal dimmer controller, designed for direct installation within ceiling cavities. The device incorporates WAGO connectors to enable easy connection without the use of tools.

DBC905W

Easy-to-install controller with flexible mounting options

- **Multiple protocols supported** – Each control output supports DALI broadcast, DALI addressed, 1-10 V and DSI protocols.
- **Built-in energy savings** – Control signals can be programmed to operate in tandem with five internal switched outputs that automatically isolate the power circuit when all associated channels are at 0%. This eliminates standby power draw from inactive DALI drivers when lamps are turned off via DALI command.
- **No tools required** – Fitted with WAGO connectors for toolless power and DALI wiring termination.
- **Inbuilt diagnostic functionality** – Includes lamp and driver failure, circuit run time tracking/lamp life, automated battery tests, and Device Online/Offline status indication.

Dimensions



Specifications

Due to continuous improvements and innovations, specifications may change without notice.



DBC905W Signal Dimmer Controller

Electrical

Supply Type	Single-Phase
Supply Voltage	230 VAC
Supply Current	16 A
DyNet DC Output Voltage	12 VDC
DyNet DC Output Current	400 mA
Switched Outputs	9 x 5 A resistive
Electrical Protection (Standard)	3 x 6.3 A Replaceable HRC fuses (CH1-CH3, CH4-CH6, CH7-CH9+MO)
IEC Overvoltage Category	III

Control

Serial Ports	2 x RS-485
Supported Protocols	DyNet
Control Channel Outputs	9 (DALI Broadcast, DALI Addressed, DSI or 1-10 V)
Control Inputs	4 x voltage-free SPDT switch inputs (momentary or latch)
Dry Contact Inputs	1 (AUX)
User Input	1 x service override switch (All channels to 100%)
Indicators	1 x diagnostic LED
Diagnostic Functions	Lamp failure Driver failure Circuit run time tracking/lamp life Automated battery tests Device online/offline status

Control Channel Ratings

DALI/DSI	Channel	Device
Output Voltage	12.5 VDC	
Guaranteed Current	15 mA	
Maximum Current	250 mA	
Maximum Drivers	5	45
Insulation	Basic	

1-10 V	Channel
Current	sink 10 mA source 10 mA

Physical

Dimensions (H x W x D)	189 x 416 x 35 mm (7.44 x 16.38 x 1.38 in)
Packed Weight	2.0 kg (4.41 lb)
Construction	Moulded ABS Plastic
Serial Ports	4 x RJ12 1 x 6-way pluggable screw terminal 1 x 3-way pluggable screw terminal
Serial Port Conductor Size	2.5 mm ² (#12 AWG) (max)
Supply Terminals	1 x WAGO connector terminal
Input Terminals	4 x 3-way pluggable screw terminal
Input Terminal Conductor Size	2.5 mm ² (#12 AWG) (max)
Output Terminals	9 x WAGO connector terminal

Environment*

Operating Temperature	0° to 50°C ambient (32° to 122°F)
Storage/Transport Temperature	-25° to 70°C ambient (-13° to 158°F)
Relative Humidity	0 to 95% non-condensing
IEC Pollution Degree	II

Compliance

Certification	CE, RCM, UKCA, RoHS
---------------	---------------------

* For indoor installation only

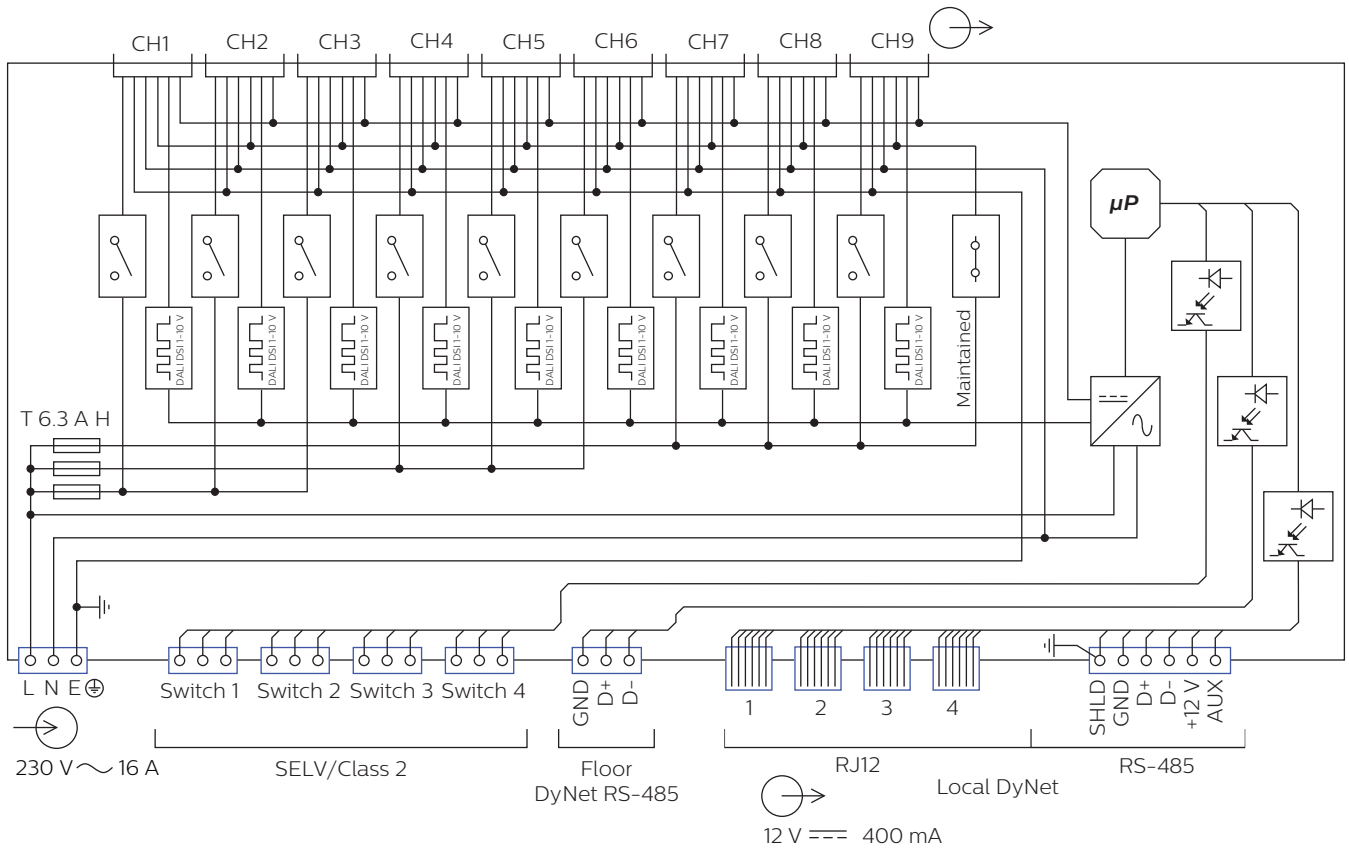
Output Channel Ratings

Load Type	Maximum Rating per Output	
	CH1-CH9	Maintained
General Use	5 A, 230 VAC	5 A, 230 VAC
Electronic Driver	2 A, 230 VAC	
Inrush Current	100 A	

Maximum Group Load	CH1-CH3	CH4-CH6	CH7-CH9 + Maintained
Continuous Current	5 A	5 A	5 A
Inrush Current	100 A	100 A	100 A
Total Device Load	≤ 15 A		



Electrical



Compatible Serial Connectors

Terminals	Vendor - Model	Part Number	
		Standard	Strain Relief
Local DyNet RS-485	Wieland - Wiecon 8113 (Box 50)	25.320.3653.0	25.320.8653.0
	Phoenix Contact - Combicon MSTB 2 (box 50)	1754520 (5/6-ST)	
	PTR	AK950/6-5-0-GREEN	AK950/6L-5-0-GREEN
Switch 1 - Switch 4 Floor DyNet RS-485	Wieland - Wiecon 8113 (Box 50)	25.320.3353.0	25.320.8353.0
	Phoenix Contact - Combicon MSTB 2 (box 50)	1754465 (5/3-ST)	1776168 (5/3-STZ-5,08)
	PTR	AK950/3-5-0-GREEN	AK950/3L-5-0-GREEN

Ordering Code

Product

DBC905W

Philips 12NC

913703040009

© 2024 Signify Holding.

All rights reserved. Specifications are subject to change without notice. No representation or warranty as to the accuracy or completeness of the information included herein is given and any liability for any action in reliance thereon is disclaimed. Philips and the Philips Shield Emblem are registered trademarks of Koninklijke Philips N.V. All other trademarks are owned by Signify Holding or their respective owners.



www.dynalite.com

Revision 08 – 2024-02-15